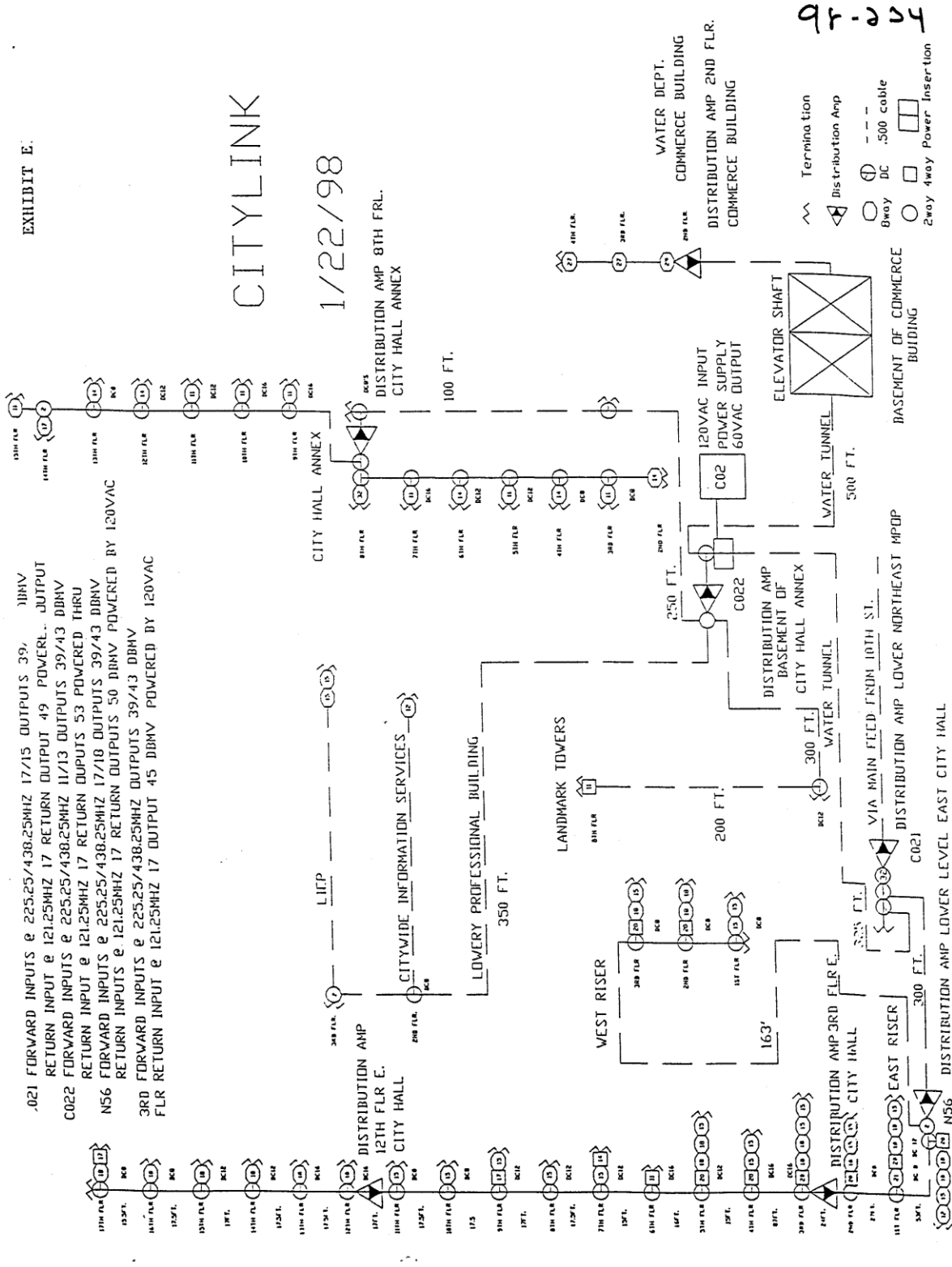


EXHIBIT E.

CITYLINK

1/22/98



.021 FORWARD INPUTS @ 225.25/438.25MHZ 17/15 OUTPUTS 39, 10MV
 RETURN INPUT @ 121.25MHZ 17 RETURN OUTPUT 49 POWERL. OUTPUT
 C022 FORWARD INPUTS @ 225.25/438.25MHZ 11/13 OUTPUTS 39/43 DBMV
 RETURN INPUT @ 121.25MHZ 17 RETURN OUTPUTS 53 POWERED THRU
 N56 FORWARD INPUTS @ 225.25/438.25MHZ 17/18 OUTPUTS 39/43 DBMV
 RETURN INPUTS @ 121.25MHZ 17 RETURN OUTPUTS 50 DBMV POWERED BY 120VAC
 3RD FORWARD INPUTS @ 225.25/438.25MHZ OUTPUTS 39/43 DBMV
 FLR RETURN INPUT @ 121.25MHZ 17 OUTPUT 45 DBMV POWERED BY 120VAC

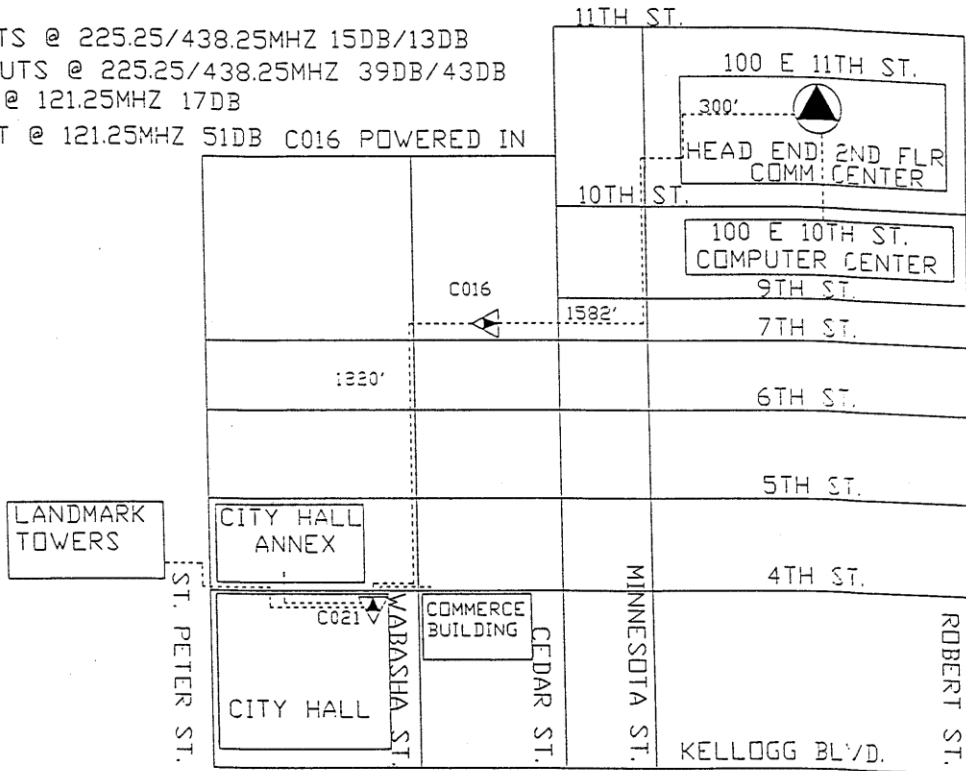
95-204

97-234

EXHIBIT E2

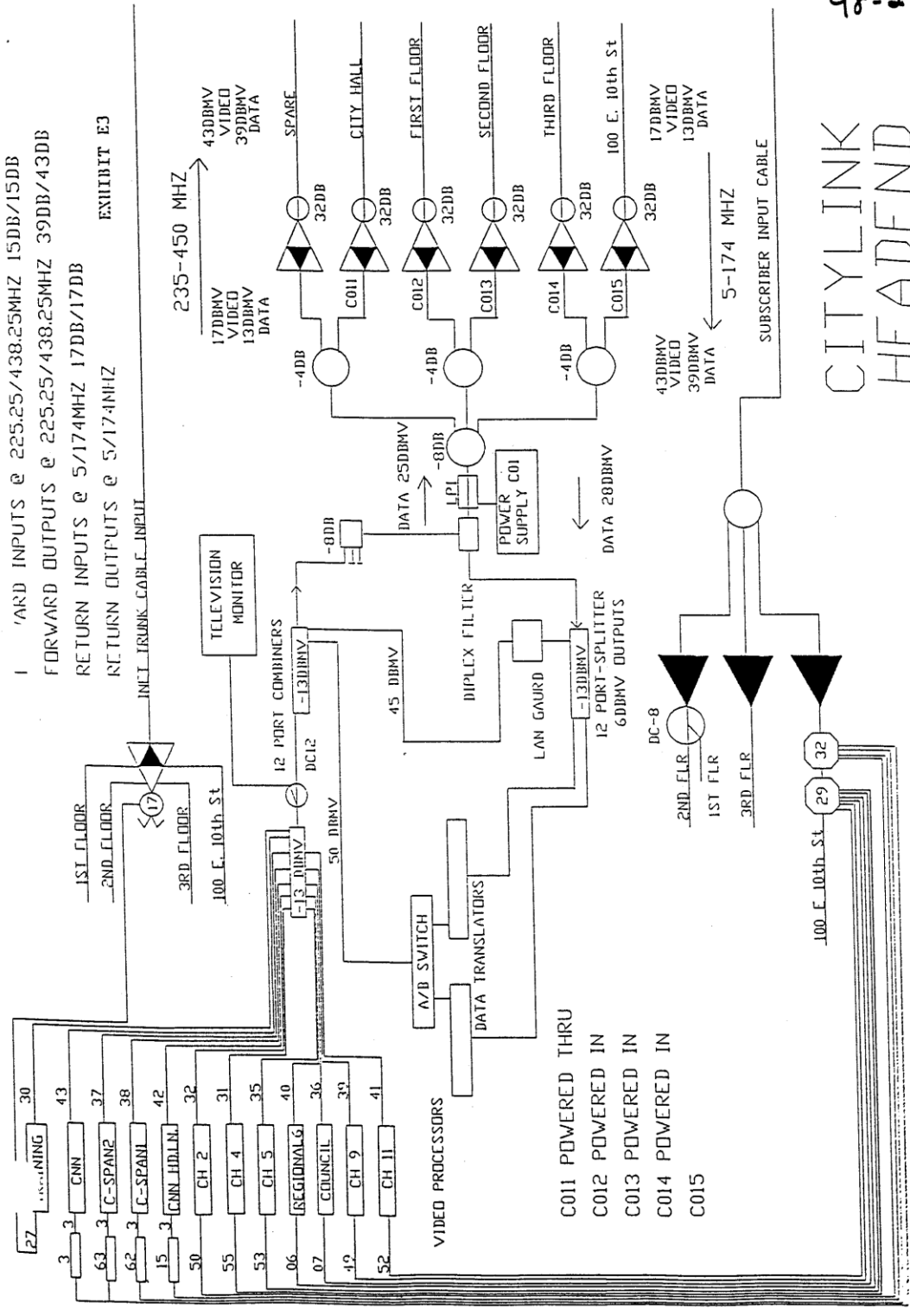
FORWARD INPUTS @ 225.25/438.25MHZ 15DB/13DB
FORWARD OUTPUTS @ 225.25/438.25MHZ 39DB/43DB
RETURN INPUT @ 121.25MHZ 17DB
RETURN OUTPUT @ 121.25MHZ 51DB C016 POWERED IN

CITYLINK
1/22/98



FORWARD INPUTS @ 225.25/438.25MHZ 15DB/15DB
 FORWARD OUTPUTS @ 225.25/438.25MHZ 39DB/43DB
 RETURN INPUTS @ 5/174MHZ 17DB/17DB
 RETURN OUTPUTS @ 5/174MHZ

EXHIBIT E3



CITYLINK HEADEND

98-234

Head End location = 100 E.11th St.
 Public Safety Annex = 100 E.10th St.
 1/22/98